

HEAVY DUTY KNIFE GATE VALVE

The ET model knife gate is an uni-directional lug type valve designed according to MSS-SP-81 and TAPPI TIS 405-8 for industrial service applications. The design of the body and seat assures nonclogging shut off on suspended solids in industries such as:

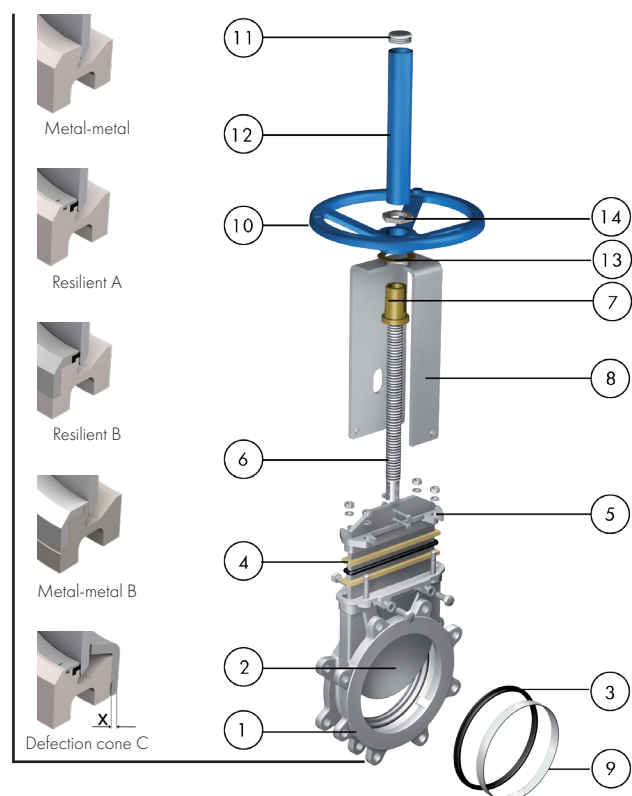
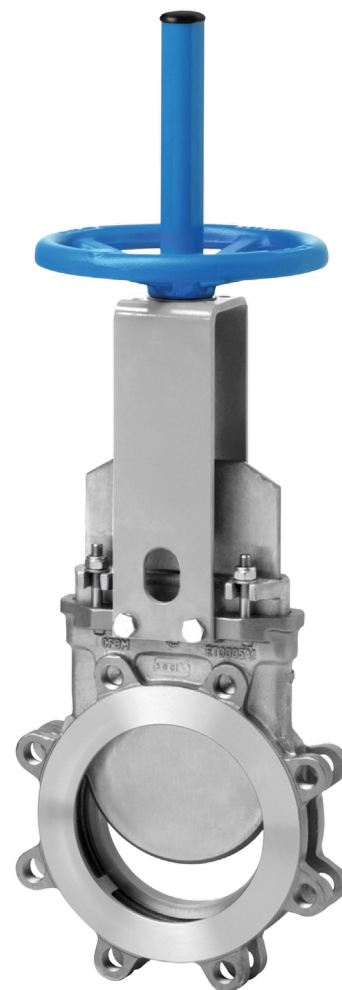
- Pulp and Paper
- Power plants
- Mining
- Chemical plants
- Wastewater treatment plants
- Food and Beverage
- etc

Product description

- Uni-directional lug type knife gate valve
- Size range of DN50-900 (larger upon request). See Dimension Charts for pressure rating
- Rising stem as standard. Non-rising stem also available
- Standard flange connection: EN-1092 PN10/ PN16 and ASME B16.5 (class 150). Others upon request
- Manual (handwheel, chainwheel, lever and bevel gear), pneumatic (single and double-acting), electric and hydraulic actuation options available
- For EU Directives and other Certificates, please see the document: Directives and Certificates Compliance - Knife Gate Valves - Catalogues and Datasheets

Features

- Lug type one piece cast stainless steel body with internal cast-in gate wedges and guides
- Port design as per the MSS SP-81 and TAPPI TIS 405-8 standards
- Stainless steel gate polished both sides to avoid jamming and seat damage
- Standard EPDM resilient seat. Metal-to-metal seat, as well as high performance rings and deflection cones available
- Long life PTFE impregnated synthetic fibre plus EPDM o-ring packing with easy access and adjustable gland follower. Wide range of packing materials available
- RAL-5015 blue epoxy-coating on all cast iron/carbon steel components
- Automated valves provided with gate guards in accordance with EU Safety Standards
- Other options: bonnets, V-ports, flush ports, special materials, fabricated valves, etc.
- Actuation accessories: limit & proximity switches, mechanical stops, positioners, solenoid valves, manual overrides, locking devices, fail safe systems, stem extensions and floor stands

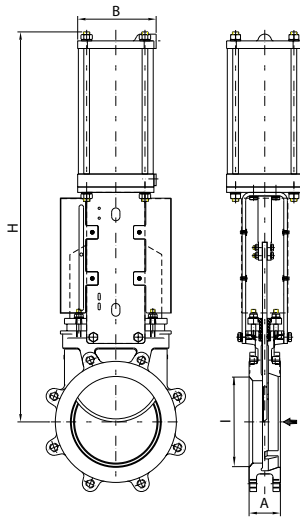
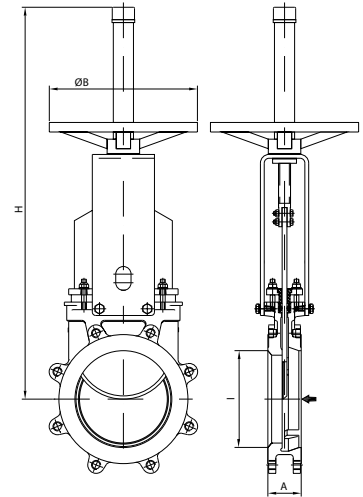


STANDARD PARTS LIST

Part	Description
1	Body CF8M
2	Gate AISI 316
3	Seat Metal/Metal or EPDM
4	Packing PTFE Impreg. Synth. Fibre + EPDM O-Ring
5	Gland follower CF8M
6	Stem Stainless Steel
7	Stem nut Brass
8	Yoke AISI 304 / Epoxy-coated Carbon Steel
9	Seal retainer ring AISI 316
10	Handwheel EN-GJS400
11	Cap Plastic
12	Stem protector Epoxy-coated Carbon Steel
13	Friction washer Brass
14	Nut Zinc Plated Carbon Steel

Handwheel Rising Stem

DN (mm/in)	W. pressure	I	A	ØB	H	Weight (Kg)
50/2	10 bar	50	48	225	420	9
80/3	10 bar	80	51	225	470	12
100/4	10 bar	97	51	225	519	14
125/5	10 bar	117	57	225	613	16
150/6	10 bar	140	57	225	642	19
200/8	10 bar	184	70	310	820	36
250/10	10 bar	230	70	310	986	46
300/12	10 bar	275	76	410	1071	65
350/14	10 bar	305	76	410	1245	91
400/16	10 bar	351,6	89	410	1325	117
450/18	10 bar	390	89	550	1510	152
500/20	10 bar	435	114	550	1617	206
600/24	10 bar	522	114	550	1883	285



Pneumatic Cylinder

DN (mm/in)	W. pressure	I	A	B	H	Connect.	Weight (Kg)
50/2	10 bar	50	48	115	412	1/4" G	9
80/3	10 bar	80	51	115	492	1/4" G	12
100/4	10 bar	97	51	115	557	1/4" G	14
125/5	10 bar	117	57	140	644	1/4" G	20
150/6	10 bar	140	57	140	698	1/4" G	24
200/8	10 bar	184	70	175	870	1/4" G	43
250/10	10 bar	230	70	220	1006	3/8" G	58
300/12	10 bar	275	76	220	1141	3/8" G	77
350/14	10 bar	305	76	277	1320	3/8" G	120
400/16	10 bar	351,6	89	277	1424	3/8" G	148
450/18	10 bar	390	89	382	1647	1/2" G	214
500/20	10 bar	435	114	382	1791	1/2" G	270
600/24	10 bar	522	114	382	2028	1/2" G	355
750/30	7 bar	670	117	444	2549	3/4" G	645
900/36	7 bar	810	117	515	3077	3/4" G	780

Note: pneumatic cylinder sizing for sizes DN 300mm/12in and above are based on EX pressure ratings

Electric Actuator

DN (mm/in)	W. pressure	I	A	C	ØB	H	D	E	F	G	Torque (Nm)	Weight (Kg)
50/2	10 bar	50	48	377	160	454	265	249	62	238	10	67
80/3	10 bar	80	51	424	160	501	265	249	62	238	10	69
100/4	10 bar	97	51	469	160	546	265	249	62	238	10	71
125/5	10 bar	117	57	516	160	593	265	249	62	238	15	74
150/6	10 bar	140	57	545	160	1122	265	249	62	238	20	77
200/8	10 bar	184	70	667	160	1255	265	249	62	238	30	93
250/10	10 bar	230	70	733	160	1321	265	249	62	238	45	-
300/12	10 bar	275	76	793	200	1381	283	254	65	248	40	90
350/14	10 bar	305	76	875	200	1463	283	254	65	248	70	-
400/16	10 bar	351,6	89	955	315	1543	389	336	91	286	90	-
450/18	10 bar	390	89	1142	315	1870	389	336	91	286	110	-
500/20	10 bar	435	114	1222	400	1950	389	339	91	286	95	-
600/24	10 bar	522	114	1444	400	2172	389	339	91	286	140	358
750/30	7 bar	670	117	1779	500	2832	430	365	117	303	140	-
900/36	7 bar	810	117	2035	500	3080	430	365	117	303	220	-

Note: torque values for sizes DN 300mm/12in and above are calculated based on EX pressure ratings. For full differential pressure, check with ORBINOX representative

