

RB PENSTOCK 150x150 - 1200x1200

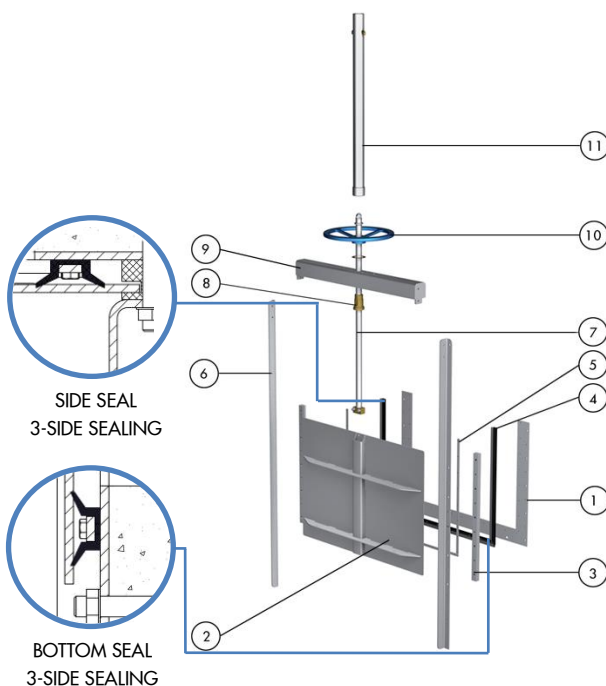
The RB weir gate is a three-side and four-side sealing penstock designed for downward opening applications for a more accurate flow control and suitable for different type of applications in the water and wastewater treatment plants, dams and reservoirs, etc.

Product description:

- Bi-directional
- 3 side-sealing as standard. 4-side sealing available
- Size range of 150x150 up to 1200x1200
- Seating and unseating pressure of 10 mwc up to 1000x1000mm and 6 mwc for remaining sizes in four-side sealing.
Slide height in three-side sealing
- Stainless steel fabricated construction.
Different stainless steel grades available
- Rising & non-rising stem configurations available
- Manual (handwheel and bevel gear), pneumatic (single and double-acting), electric and hydraulic actuation options available
- Designed according to DIN 19569. In general accordance with AWWA C561 or BS 7775 also available

Features:

- Open-frame (rising stem) and self-contained (rising and non-rising stem) configurations
- HMWPE gate guides for low friction during operation, minimizing thrust and maximizing seal life
- Self-adjusting lip EPDM seal design, wedges are not required thus resulting in a lower torque requirement
- Yoke or pedestal mounted actuators
- Mounting options: standard wall mount, also thimble mount
- Leakage rate as per DIN 19569-4 Class 5 (1,2 l/min per meter)

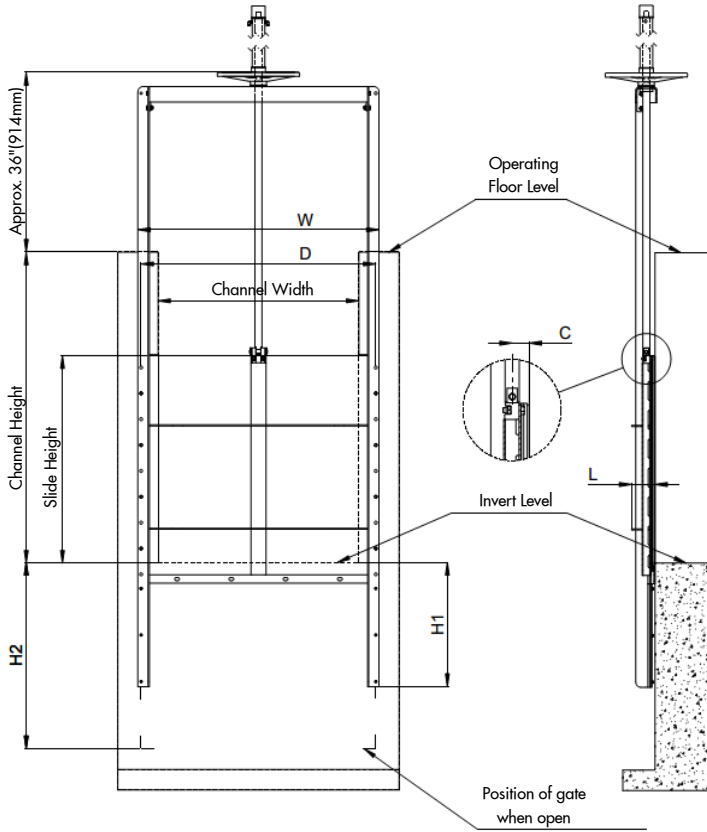


STANDARD MATERIAL OF CONSTRUCTION

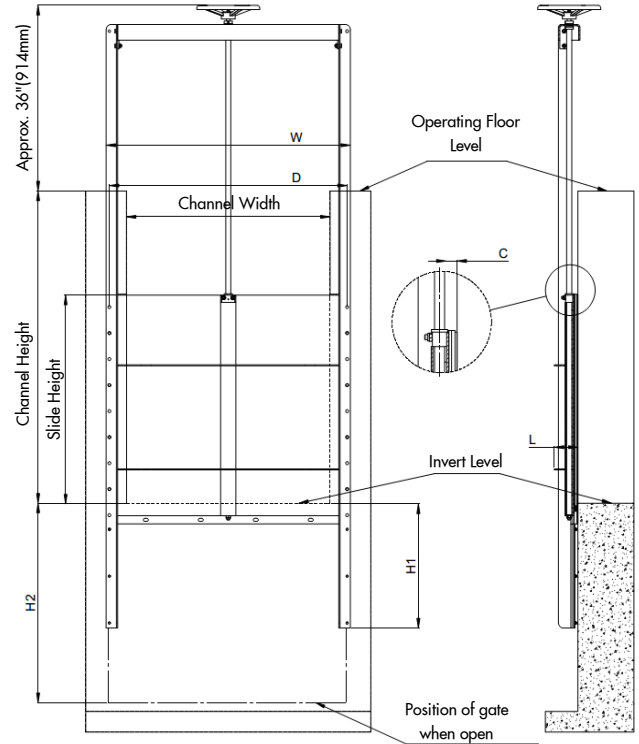
ITEM	DESCRIPTION	MATERIAL
1	Frame	AISI 304 / AISI 304L / AISI 316 / AISI 316L
2	Slide	AISI 304 / AISI 304L / AISI 316 / AISI 316L
3	Guides	Polyethylene (HMWPE)
4	Seal	EPDM
5	Seal Retainer	AISI 304 / AISI 304L / AISI 316 / AISI 316L
6	Frame Guide	AISI 304 / AISI 304L / AISI 316 / AISI 316L
7	Stem	Stainless Steel
8	Stem Nut	Bronze
9	Yoke	AISI 304 / AISI 304L / AISI 316 / AISI 316L
10	Handwheel	Cast Iron
11	Stem Protector	Carbon Steel / Methacrylate (Plexiglas)

Note: For materials other than above, please contact an ORBINOX representative

RISING STEM



NON RISING STEM



SIZE (mm) Channel Width x Slide Travel	W	H Min (Self-contained)	H (Open Frame)	H1	H2	D	L	C
150x150	330	300	150	150	210	298	59	43
200x200	380	350	200	200	260	348	87	43
250x250	430	400	250	250	310	398	87	43
300x300	480	450	300	300	360	448	87	43
350x350	530	500	350	350	410	498	87	43
400x400	580	550	400	400	460	548	87	43
450x450	630	600	450	450	510	598	87	43
500x500	680	650	500	500	560	648	87	43
600x600	780	750	600	400	660	748	87	43
700x700	880	850	700	450	760	848	87	43
750x750	930	900	750	475	810	898	87	43
800x800	980	950	800	500	860	948	87	43
900x900	1080	1050	900	550	960	1048	147	60
1000x1000	1200	1150	1000	600	1060	1168	147	60
1050x1050	1250	1200	1050	625	1110	1218	147	60
1100x1100	1300	1250	1100	650	1160	1268	147	60
1200x1200	1400	1350	1200	700	1260	1368	147	60

NOTE:

These dimensions are only for reference. Do not use for installation or submittal purposes.
For dimensions or mounting positions other than those indicated above, please contact ORBINOX