

## ROUND BY SQUARE PORT KNIFE GATE VALVE

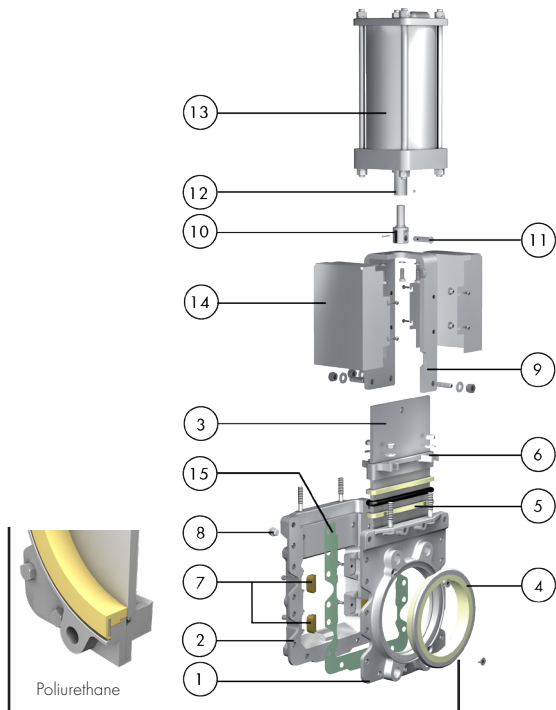
The Series 70 (CR) model knife gate is a wafer valve designed for the use in difficult applications. This valve is generally suitable for recycling applications, such as junk or sand traps of pulpers, high density cleaners (HDC) or as silo outlet with solid material. The two piece body with round inlet and square outlet (larger than the inlet) ensures non-jamming.

### Product description

- Uni-directional wafer type knife gate valve
- Size range of DN 4in-24in (larger sizes upon request). See Dimension Charts for pressure rating
- Standard flange connection: EN 1092 PN10 and ASME B16.5 (class 150) (on valve inlet only). Others upon request
- Square-to-round transition pieces on the outlet available
- Double-acting pneumatic actuation
- For EU Directives and other Certificates, please see the document: Directives and Certificates Compliance - Knife Gate Valves - Catalogues and Datasheets

### Features

- Internally machined two-part bolted cast body with internal replaceable gate guides for smoother gate traveling
- The square outlet prevents the build-up of contaminants such as staples, wires, etc
- Duplex stainless steel gate, oversized thickness and polished on both sides, increases its wearing resistance and prevents damage to the seat. This design also allows to perfectly cut through the fluid
- Easily replaceable high resistant long-lasting polyurethane seat with stainless steel core or bronze seat
- Long-life multiple graphite impreg. PTFE/aramid yarn combination with elastomeric core and EPDM o-ring, packing with easy access and adjustable gland follower. Wide range of materials available
- RAL-5015 blue epoxy-coating on all cast iron/carbon steel components
- Automated valves provided with gate guards in accordance with EU Safety Standards. Only in EU
- Other options: vortex breakers on seating ring, special materials, fabricated valves, etc.
- Actuation accessories: limit & proximity switches, mechanical stops, positioners, solenoid valves, manual overrides, locking devices and fail safe systems



## STANDARD PARTS LIST

Part	Description
1	Body EN-GJL250 / CF8M <sup>1</sup>
2	Body EN-GJL250 / CF8M <sup>1</sup>
3	Gate 2205 (1.4462)
4	Sleeve Polyurethane rubber
5	Packing Dynapack (Graphite impregnated PTFE and Aramid yarn combination with an elastomeric core)
6	Gland follower CF8M
7	Sliders Bronze
8	Cap <sup>2</sup> Galv. Steel / AISI 316 <sup>1</sup>
9	Yoke Carbon steel / AISI 304 <sup>1</sup>
10	Clevis 17-4 PH
11	Pin AISI 304
12	Piston rod AISI 304
13	Cylinder Aluminium
14	Gate guards AISI 304
15	Gasket Aramid fibres

<sup>1</sup> Stainless steel configuration  
<sup>2</sup> Not available for DN 4in/100mm

## Double Acting Pneumatic Cylinder

DN (in)	Pressures	A (in)	H (in)	B (in)	ØC (in)	Connect	Weight (Lbs.)
4	100 psi	2.03	22.16	4.52	3.81	1/4"G	77
6	100 psi	2.36	27.87	5.51	5.75	1/4"G	172
8	100 psi	2.36	34.33	6.89	7.63	3/8"G	196
10	100 psi	2.72	41.49	8.66	9.72	3/8"G	220
12	100 psi	3.07	47.00	8.66	11.73	3/8"G	320
16	100 psi	3.50	61.61	10.90	15.67	3/8"G	591
20	60 psi	4.49	72.24	13.18	18.85	1/2"G	816
24	60 psi	4.49	82.48	13.18	22.75	1/2"G	1118

