

RUBBER SLEEVE KNIFE GATE VALVE

The VG model knife gate is a bi-directional wafer valve equipped with two metal reinforced rubber sleeves, designed for applications with abrasive slurries. The VG slurry knife gate valve is mainly used in industries such as:

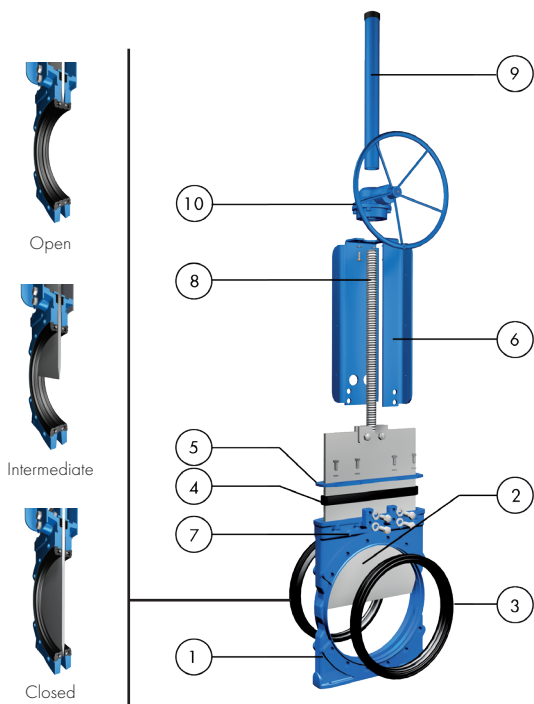
- Mining
- Chemical plants
- Power plants
- Wastewater treatment plants
- Etc.

Product description

- Bi-directional wafer type knife gate valve
- Size range of DN 50-900 (larger upon request). See Dimension Charts for pressure rating
- Rising stem
- Standard flange connection: EN 1092 PN10 and ASME B16.5 (class 150). Others upon request
- Manual (handwheel and bevel gear), pneumatic (single and double-acting), electric and hydraulic actuation options available
- For EU Directives and other Certificates, please see the document: Directives and Certificates Compliance - Knife Gate Valves - Catalogues and Datasheets

Features

- Wafer type cast monoblock body with two machined lateral openings where the sleeves fit perfectly. Grease nipples to lubricate the gate are standard
- Open at the bottom for draining purposes, also available with covers or splash guards
- Rectangular shaped stainless steel gate, polished both sides to reduce friction and to avoid seat damage
- Metal reinforced rubber sleeve seats, designed to allow maximum flexibility and minimum effort during gate travel
- EPDM packing as standard. Conventional leak proof packing also available
- RAL-5015 blue epoxy-coating on all cast iron/carbon steel components
- Automated valves provided with gate guards in accordance with EU Safety Standards
- Other options: open-closed lockout system, flush ports, special materials, fabricated valves, gate coatings, etc.
- Actuation accessories: limit & proximity switches, mechanical stops, positioners, solenoid valves, manual overrides, fail safe systems, stem extensions and floor stands



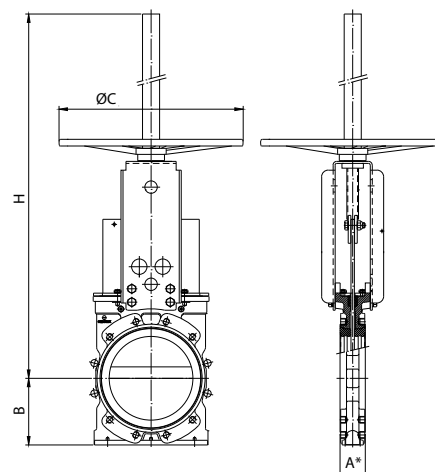
STANDARD PARTS LIST

Part	Materials
1 Body	Ductile iron A536 (60-40-18) / 0.7040 / EN-GJS400
2 Gate	AISI 304 / AISI 316
3 Sleeves	Natural rubber / EPDM
4 Packing	EPDM
5 Gland follower	A570 GR.40 / 1.0044 Epoxy coated
6 Yoke	A570 GR.40 / 1.0044 Epoxy coated
7 Grease nipple	Zinc coated carbon-steel
8 Stem	Stainless Steel
9 Stem protector	A570 GR.40 / 1.0044 Epoxy coated
10 Bevel gear	-

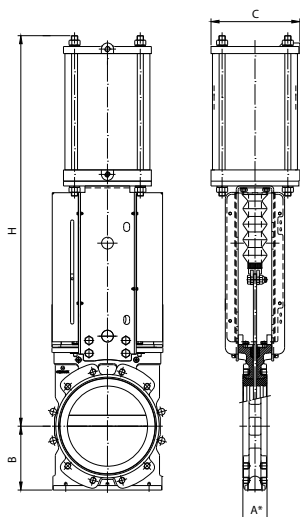
Handwheel Rising Stem

DN	Pressures	A1 *	A2 *	B	ØC	H	Weight (kg.)
50	10 bar	54	60	63	225	445	9
65	10 bar	54	60	70	225	470	10
80	10 bar	57	63	90	225	495	12
100	10 bar	57	63	100	310	645	17
125	10 bar	63,5	69	122	310	700	20
150	10 bar	63,5	69	129	310	745	23
200	10 bar	76	83	164	410	945	40

A1 *: installed face to face A2 *: minimum required dimension for installation



Pneumatic Cylinder



DN	Pressures	A1 *	A2 *	B	C	H	Connect.	Weight (kg.)
50	10 bar	54	60	63	115	516	1/4" G	10
65	10 bar	54	60	70	115	550	1/4" G	11
80	10 bar	57	63	90	140	621	1/4" G	17
100	10 bar	57	63	100	140	668	1/4" G	19
125	10 bar	63,5	69	122	175	817	1/4" G	29
150	10 bar	63,5	69	129	175	893	1/4" G	32
200	10 bar	76	83	164	220	1067	3/8" G	53
250	10 bar	76	83	199	277	1220	3/8" G	89
300	10 bar	82,5	90	231	335	1473	1/2" G	144
350	10 bar	82,5	90	257	444	1687	3/4" G	183
400	10 bar	95	102	291	444	1824	3/4" G	216
450	6 - 10 bar ¹	95,5	103	317	515	2025	3/4" G	291
500	6 - 10 bar ¹	121	129	345	515	2198	3/4" G	341
600	6 - 10 bar ¹	121	129	413	515	2420	3/4" G	429

A1 *: installed face to face A2 *: minimum required dimension for installation
¹ Duplex gate for 10 bar

Electric Actuator

DN	Pressures	A1 *	A2 *	B	ØC	H	D	E	F	G	Weight (kg.)
50	10 bar	54	60	63	160	603	265	249	62	238	65
65	10 bar	54	60	70	160	628	265	249	62	238	66
80	10 bar	57	63	90	160	662	265	249	62	238	68
100	10 bar	57	63	100	160	688	265	249	62	238	71
125	10 bar	63,5	69	122	160	1100	265	249	62	238	75
150	10 bar	63,5	69	129	160	1158	265	249	62	238	79
200	10 bar	76	83	164	200	1272	283	254	65	248	63
250	10 bar	76	83	199	200	1387	283	254	65	248	83
300	10 bar	82,5	90	231	200	1454	283	254	65	248	103
350	10 bar	82,5	90	257	315	1602	389	336	90	286	156
400	10 bar	95	102	291	315	1690	389	336	90	286	188
450	6 - 10 bar ¹	95,5	103	317	409	1822	389	336	90	286	239
500	6 - 10 bar ¹	121	129	345	400	1925	389	339	90	286	298
600	6 - 10 bar ¹	121	129	413	500	2120	430	365	115	303	384
700	5 - 10 bar ¹	181	190	475	400	2770	389	339	90	286	-
750	5 - 10 bar ¹	187	195	500	400	2880	430	365	115	303	-
800	5 - 10 bar ¹	206	214	550	500	3035	430	365	115	303	-
900	5 - 10 bar ¹	225,5	234	620	500	3180	430	365	115	303	-

A1 *: installed face to face A2 *: minimum required dimension for installation
¹ Duplex gate for 10 bar

